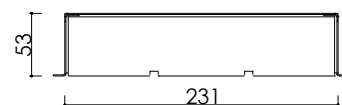
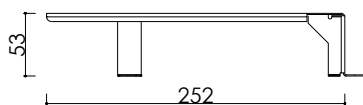




**aira**<sup>®</sup>  
PLANO | Accessories

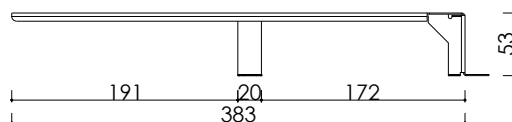
PLANO cover 400/500 (air duct)

Item no. 7018



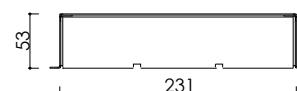
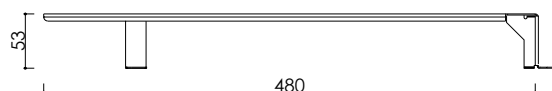
PLANO cover 600 (air duct)

Item no. 7016

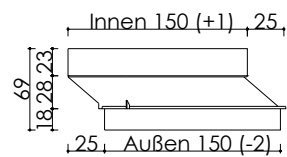
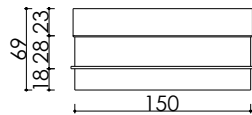


PLANO cover 800 (air duct)

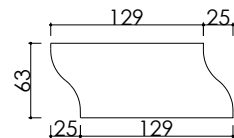
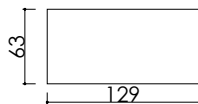
Item no. 7015



Adapter (MA150/150. essentric) | included with PLANO models 8940. 8950. 8960. 8980 | [Item no. 7550](#)



Adapter (MA 120/120. essentric) included with PLANO models 8948, 8958, 8968, 8988 | [Item no. 7546](#)



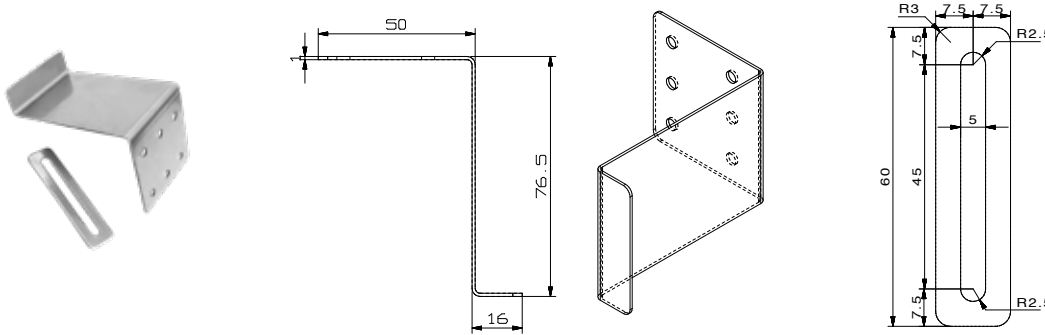
Hose clamp Ø 210 | included with PLANO models | [Item no. 7020\\_210](#)



Hose clamp Ø 180 | included with PLANO models | [Item no. 7020\\_180](#)



PLANO mounting bracket (set, consisting of 2 brackets and 2 retaining plates) | [Item no. 7082](#)



### Kitchen planning programs

There are several IT-supported planning programs for the kitchen industry, but only a few achieve very high market penetration. These include the systems from Carat, CompuSoft/Cyncly (Winner Flex) and SHD (KPS.MAX). Avitana's plasma filters are integrated into all three of the aforementioned planning programs and are therefore present on key channels for kitchen planners and studios.

Product integration into kitchen planning programs not only makes consultation more efficient, but also simplifies and accelerates the entire planning process and limits potential sources of error. The sales department also has easier access to the decisionmakers and, conversely, Avitana benefits in terms of product development. The respective product catalogs can be requested from the company or – thanks to digitization – downloaded or subscribed to in the provider cloud.

**CARAT**



**Winner Flex**

**KPS.MAX**



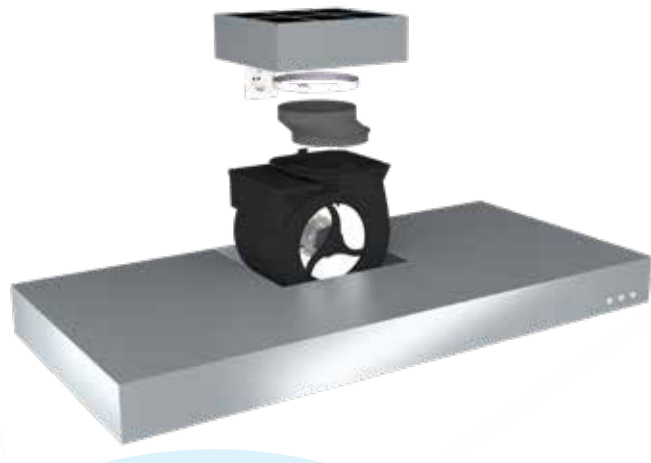
# aira® PLANO | Assembly instructions

## PACKAGE CONTENTS

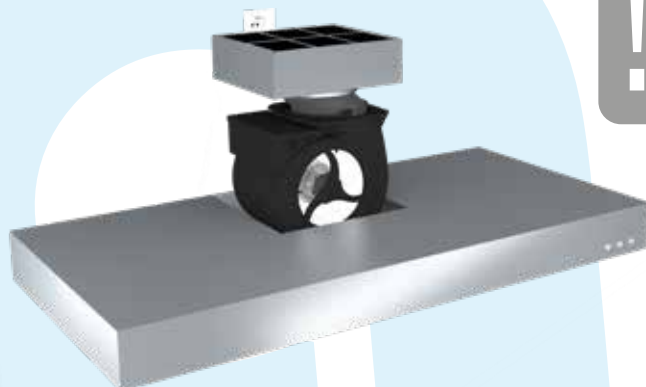
- A | aira® PLANO filter module C
- B | Eccentric adapter
- C | Hose clamp



1. Place the aira® PLANO (A) on the adapter (B) or directly on the exhaust air connection and tighten the hose clamp (C).



2. Connect the hood and filter plugs to the socket.



! Set the adapter (C) if the motor exhaust air connection is too close to the wall.



## Important warnings

- Only use **aira**<sup>®</sup> filters with a commercially available extractor unit with grease filters in conjunction with fire-retardant properties.
- Good ventilation should always be ensured so that there is sufficient oxygen in the room air. Commercially available brand hoods also indicate this!
- Please do not insert any objects into the airt module under any circumstances! There is a risk of electric shock! ALWAYS work on the module with the mains plug disconnected!
- Touching the module with wet hands or objects also carries the risk of electric shock. Always work on the module with the mains plug disconnected!
- Blocking of the air inlet and air outlet must be avoided at all times. Pull out the mains plug if necessary!
- If the module shows signs of damage, it must not be used under any circumstances!
- Persons with reduced physical, sensory or mental capabilities or lack of experience and children aged 8 and over may only use this module under the supervision of a competent person. Further warnings can be found in the following chapters.
- The module must never be used as a toy for children!
- Cleaning or maintenance work must not be carried out by children without a qualified person!
- Please observe the installation instructions and warnings for your extractor hood.
- **aira**<sup>®</sup> was designed exclusively for use in private households!
- As in the manual for your extractor hood, we would also like to point out that you should never allow high flames to develop under the hood! Similarly, you should not flambé under extractor hoods, as both can lead to a fire hazard and cause considerable consequential damage!
- Overheated oil is also a potential fire hazard. Never extinguish with water!
- Carbon monoxide or other chemical gases cannot be removed with the **aira**<sup>®</sup> !



## Warnings and installation instructions

- The **aira**<sup>®</sup> filter module may only be connected with the cable plug belonging to the unit! (Warranty)
- If the supply line is damaged, the appliance must be returned to the dealer/manufacturer for scrapping.
- Carefully open the packaging and remove the **aira**<sup>®</sup> filter module and check the contents of the package for completeness! Keep the packaging until it has been checked for correct operation and use it for returns if necessary. Otherwise, please dispose of it in an environmentally friendly manner. Thank you!
- Please observe the installation instructions and follow them step by step. Check the connection between the **aira**<sup>®</sup> filter module and the motor outlet for tightness to avoid air leaks so that the system works properly.
- Check that the mains plug is and remains freely accessible after installing the module! The integrated mains connection cable cannot and must not be replaced.
- NOTE: If the **aira**<sup>®</sup> filter is not installed in accordance with these instructions, the warranty on the **aira**<sup>®</sup> filter expires with immediate effect!
- All **aira**<sup>®</sup> filter modules listed in these instructions are plug-in products. Please follow the installation instructions.
- The mains supply should be provided by a nearby socket (210-250 V / 50 Hz).
- If there are small black spherical particles in the packaging, these originate from the high performance carbon filter and were released during transportation. This does not affect the functionality of the **aira**<sup>®</sup> filter! These particles are harmless and can be disposed of with household waste. Please do not use for consumption!
- **The appliance may only be operated with the supply cable provided.**



## Warnings for operation

For optimum room air purification, it is essential that your extractor hood is sufficiently ventilated and adapted to the respective steam development:

- Start your extractor hood at level 1 or 2 10 minutes before you start cooking.
- After the cooking process has finished, the extractor hood must run on level 1 or 2 for at least 15 minutes.
- If the room volume exceeds 50 m<sup>3</sup> (width x length x height = room volume), the run-on time should be at least 15 minutes.
- The distance between the filter and furnishings should be at least **10 mm**.
- When using grills or deep fryers, please double the runtime of the after-ventilation.
- **The grease filter of the extractor hood should have at least 8 layers.**

**The aira® module also acts as an air purifier at low speed and cleans the air not only of kitchen vapors and odors, but also all types of allergens, bacteria, pollen and viruses, thus ensuring healthy indoor air.**

## Care and maintenance

If the **aira®** filter module is installed in accordance with the installation instructions, it does not require any maintenance. The aira filter module starts the automated cleaning process as soon as it is in operation.

**The aira® filter module is maintenance-free. However, make sure that the grease filter of your extractor hood is cleaned regularly and is free of grease.**

## Warranty services and conditions

We at AVITANA® are delighted that you have purchased one of our high-tech modules and are convinced that your living comfort will be enhanced by the fresh and purified air.

We grant a **60-month guarantee** on our products provided that they are installed correctly and professionally. **It is essential that the pre- and post-installation times of the extractor hood are observed.**

If you still have reasons for complaint, please contact your dealer, who will then contact us. Together we will find a good solution.



## Final notes

The manufacturer's operating instructions must be read carefully before installation! If the filter does not start up properly, please check first:

- a) whether the power supply is guaranteed (check socket / connect another device if necessary)
- b) whether the appliance plug is defective or whether it is firmly inserted into the socket.

## Installing the **aira**® filter

The **aira**® filter is relatively easy to install. The installation of the **aira**® filter is intended as a retrofit or conversion of an existing extractor hood unit or its use in recirculation mode. The step-by-step procedure is described in this installation description.

Please dispose of the packaging in an environmentally friendly manner. Thank you!

The **aira**® filter module meets the requirements of EU regulations and the EU directives for waste electrical and electronic equipment (WEEE)! All components of the filter module are recyclable! The packaging materials can be recycled in an environmentally friendly manner.

These installation instructions have been compiled by our technicians with the utmost care. No legal claims can be derived from printing or spelling errors!



The manufacturer of the product(s) described herein, to which this declaration refers, hereby declares under his sole responsibility that these product(s) comply with the relevant, basic safety, health and protection requirements of the existing EU directives and that the corresponding test control, in particular the CE declaration of conformity duly issued by the manufacturer or his authorized representative, is available for inspection by the competent authorities and can be requested from the seller of the device.



AVITANA®

PLASMA-TECHNOLOGIE