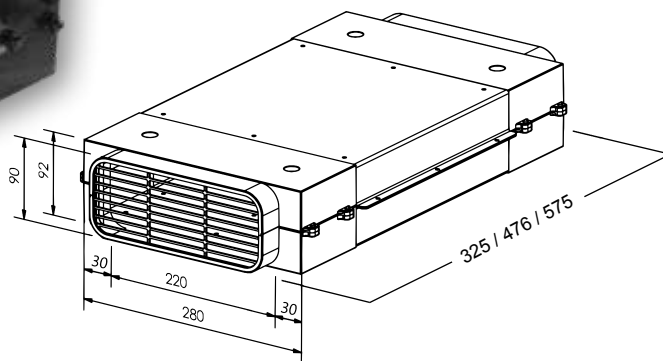


# aira®

## QUADRO | Product info



### QUADRO 400 MC 220 x 90 mm

### QUADRO 800 MC 220 x 90 mm

### QUADRO 1200 MC 220 x 90 mm

Item no.	8740	8780	8712
Dimensions	325 x 276 x 92 mm	476 x 276 x 92 mm	575 x 276 x 92 mm
Air flow rate	400 m <sup>3</sup> / h	800 m <sup>3</sup> / h	1200 m <sup>3</sup> / h
Connection voltage	210 - 250 Volt	210 - 250 Volt	210 - 250 Volt
Motor connection	220 x 90 mm	220 x 90 mm	220 x 90 mm
Weight	3.0 kg	6.0 kg	6.5 kg
VP dimension	660 x 310 x 110 mm	660 x 310 x 110 mm	660 x 310 x 110 mm
VP unit	1 piece	1 piece	1 piece
Plug / cable	Schuko/ 195 cm	Schuko/ 195 cm	Schuko/ 195 cm

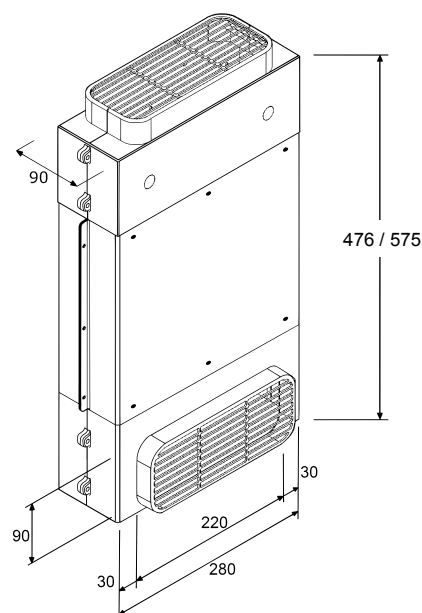
Contact time / flow velocity: depending on degree of soiling 0.1-1 sec, 2 min / max.  
pressure difference: at 2 m/s flow, 100 Pa

Electrical operation: primary: 210-250 V, 50Hz | secondary: HV approx. 5 KV, 10 Watt Power  
consumption: max. 10 Watt, max. 3.65 KW p.a. | Standby consumption: max. 0.5 Watt  
Subject to technical changes!



# aira®

## QUADRO L | Product info



**QUADRO L 750**  
MC 220 x 90 mm

**QUADRO L 950**  
MC 220 x 90 mm

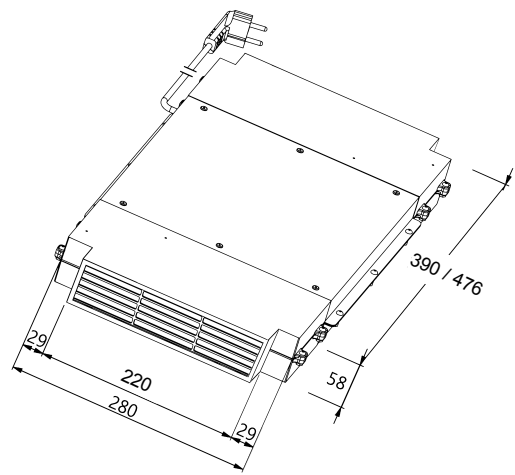
<b>Item no.</b>	<b>8775</b>	<b>8795</b>
<b>Dimensions</b>	476 x 276 x 92 mm	575 x 276 x 92 mm
<b>Air flow rate</b>	750 m <sup>3</sup> / h	950 m <sup>3</sup> / h
<b>Connection voltage</b>	210 - 250 Volt	210 - 250 Volt
<b>Motor connection</b>	220 x 90 mm	220 x 90 mm
<b>Weight</b>	5.7 kg	6.5 kg
<b>VP dimension</b>	610 x 310 x 140 mm	610 x 310 x 140 mm
<b>VP unit</b>	1 piece	1 piece
<b>Plug / cable</b>	Schuko/ 195 cm	Schuko/ 195 cm

Contact time / flow velocity: depending on degree of soiling 0.1-1 sec, 2 min / max.  
pressure difference: at 2 m/s flow, 100 Pa

Electrical operation: primary: 210-250 V, 50Hz | secondary: HV approx. 5 KV, 10 Watt Power  
consumption: max. 10 Watt, max. 3.65 KW p.a. | Standby consumption: max. 0.5 Watt  
Subject to technical changes!



**aira**<sup>®</sup>  
**QUADRO slimline** | Product info



**QUADRO 600 slimline**  
**MC 220 x 58 mm**

**QUADRO 800 slimline**  
**MC 220 x 58 mm**

<b>Item no.</b>	<b>8762</b>	<b>8782</b>
<b>Dimensions</b>	390 x 280 x 58 mm	476 x 280 x 58 mm
<b>Air flow rate</b>	600 m <sup>3</sup> / h	800 m <sup>3</sup> / h
<b>Connection voltage</b>	210 - 250 Volt	210 - 250 Volt
<b>Motor connection</b>	220 x 58 mm	220 x 58 mm
<b>Weight</b>	3.4 kg net   3,9 kg gross	4.0 kg net   4.5 kg gross
<b>VP dimension</b>	660 x 310 x 110 mm	660 x 310 x 110 mm
<b>VP unit</b>	1 piece	1 piece
<b>Plug / cable</b>	Schuko/195 cm	Schuko/195 cm

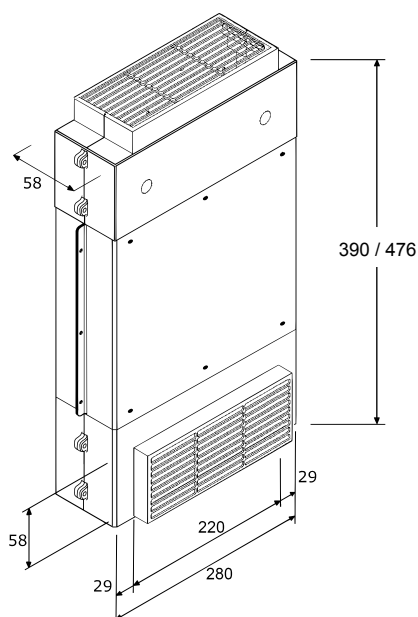
Contact time / flow velocity: depending on degree of soiling 0.1-1 sec, 2 min / max.  
 pressure difference: at 2 m/s flow, 100 Pa

Electrical operation: primary: 210-250 V, 50Hz | secondary: HV approx. 5 KV, 10 Watt Power  
 consumption: max. 10 Watt, max. 3.65 KW p.a. | Standby consumption: max. 0.5 Watt  
 Subject to technical changes!



**aira**<sup>®</sup>

## QUADRO L slimline | Product info


**QUADRO L 600 slimline**  
**MC 220 x 58 mm**
**QUADRO L 800 slimline**  
**MC 220 x 58 mm**

<b>Item no.</b>	<b>8761</b>	<b>8781</b>
<b>Dimensions</b>	390 x 280 x 58 mm	476 x 280 x 58 mm
<b>Air flow rate</b>	600 m <sup>3</sup> / h	800 m <sup>3</sup> / h
<b>Connection voltage</b>	210 - 250 Volt	210 - 250 Volt
<b>Motor connection</b>	220 x 58 mm	220 x 58 mm
<b>Weight</b>	3.4 kg net   3.9 kg gross	4.0 kg net   4.5 kg gross
<b>VP dimension</b>	660 x 310 x 110 mm	660 x 310 x 110 mm
<b>VP unit</b>	1 piece	1 piece
<b>Plug / cable</b>	Schuko/195 cm	Schuko/195 cm

Contact time / flow velocity: depending on degree of soiling 0.1-1 sec, 2 min / max.  
 pressure difference: at 2 m/s flow, 100 Pa

Electrical operation: primary: 210-250 V, 50Hz | secondary: HV approx. 5 KV, 10 Watt Power  
 consumption: max. 10 Watt, max. 3.65 KW p.a. | Standby consumption: max. 0.5 Watt  
 Subject to technical changes!

