



**aira**<sup>®</sup>  
PLANO | Product info

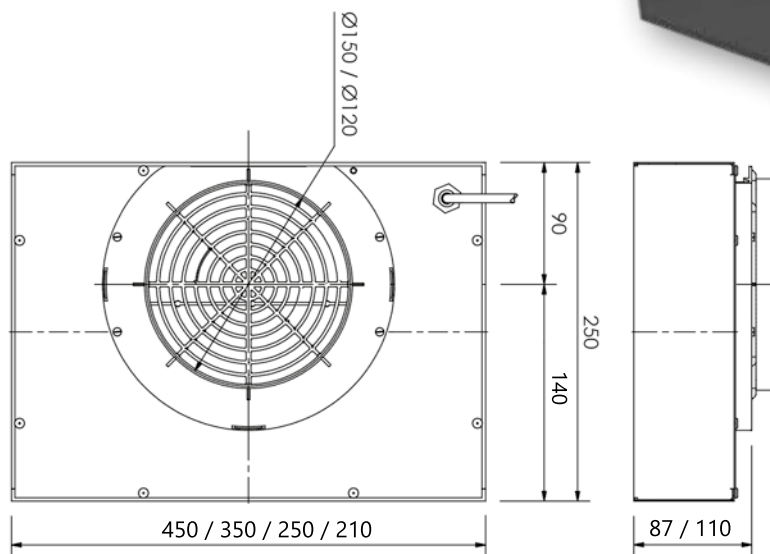
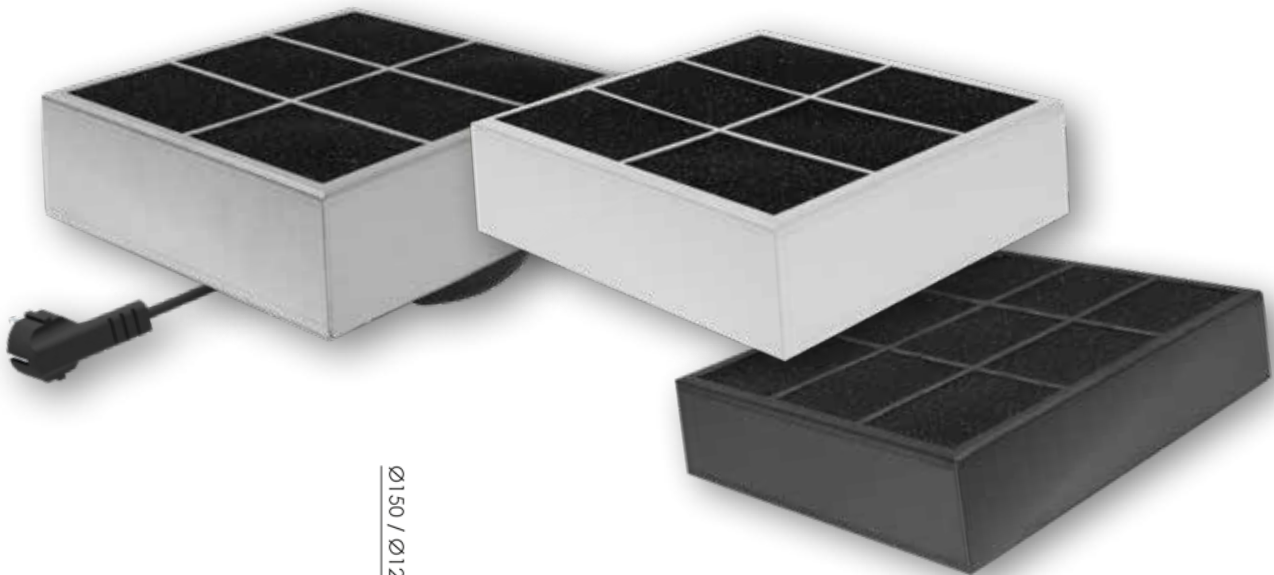
**Included in the scope of delivery:**

**PLANO 8940, 8950, 8960, 8980: item no. 7550** (adapter | reducer) A150/150, eccentric)

**7020\_210** (Hose clamp Ø 210)

**PLANO 8948, 8958, 8968, 8988: item no. 7546** (adapter MA120/120, eccentric),

**7020\_180** (Hose clamp Ø180)



**Stainless steel (standard)**  
**White powder-coated possible**  
**Black powder-coated possible**

**PLANO 400**

MC Ø 120/150 mm

**PLANO 500**

MC Ø 120/150 mm

**PLANO 600**

MC Ø 120/150 mm

**PLANO 800**

MC Ø 120/150 mm

<b>Item no.</b>	Ø 150 m <b>8940</b> <b>8940_white</b> <b>8940_black</b>	Ø 150 mm <b>8950</b> <b>8950_white</b> <b>8950_black</b>	Ø 150 mm <b>8960</b> <b>8960_white</b> <b>8960_black</b>	Ø 150 mm <b>8980</b> <b>8980_white</b> <b>8980_black</b>
<b>Item no.</b>	Ø 120 mm <b>8948</b> <b>8948_white</b> <b>8948_black</b>	Ø 120 mm <b>8958</b> <b>8958_white</b> <b>8958_black</b>	Ø 120 mm <b>8968</b> <b>8968_white</b> <b>8968_black</b>	Ø 120 mm <b>8988</b> <b>8988_white</b> <b>8988_black</b>
<b>Dimensions</b>	210 x 250 x 87 mm	250 x 250 x 87 mm	350 x 250 x 87 mm	450 x 250 x 110 mm
<b>Air flow rate</b>	400 m <sup>3</sup> / h	500 m <sup>3</sup> / h	600 m <sup>3</sup> / h	800 m <sup>3</sup> / h
<b>Connection voltage</b>	210 - 250 Volt	210 - 250 Volt	210 - 250 Volt	210 - 250 Volt
<b>Motor connection</b>	Ø 120 + 150 mm	Ø 120 + 150 mm	Ø 120 + 150 mm	Ø 120 + 150 mm
<b>Weight</b>	2.2 kg	2.5 kg	3.1 kg	3.8 kg
<b>VP dimension</b>	400 x 260 x 230 mm	400 x 260 x 230 mm	400 x 260 x 230 mm	610 x 320 x 140 mm
<b>VP unit</b>	1 piece	1 piece	1 piece	1 piece
<b>Plug / cable</b>	Schuko/195 cm	Schuko/195 cm	Schuko/195 cm	Schuko/195 cm

Contact time / flow velocity: depending on degree of soiling 0.1-1 sec, 2 min / max.  
 pressure difference: at 2 m/s flow, 100 Pa  
 Electrical operation: primary: 210-250 V, 50Hz | secondary: HV approx. 5 KV, 10 Watt Power  
 consumption: max. 10 Watt, max. 3.65 KW p.a. | Standby consumption: max. 0.5 Watt  
 Subject to technical changes!

