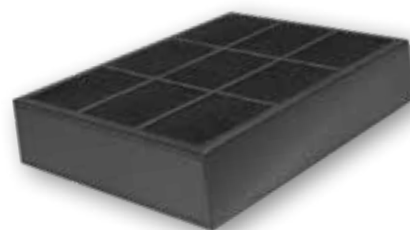
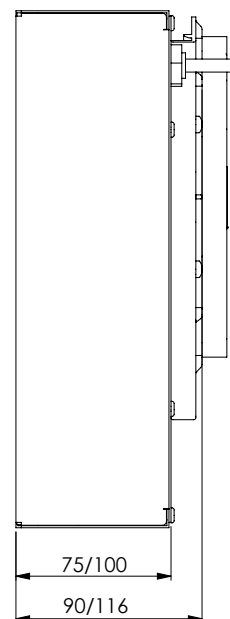
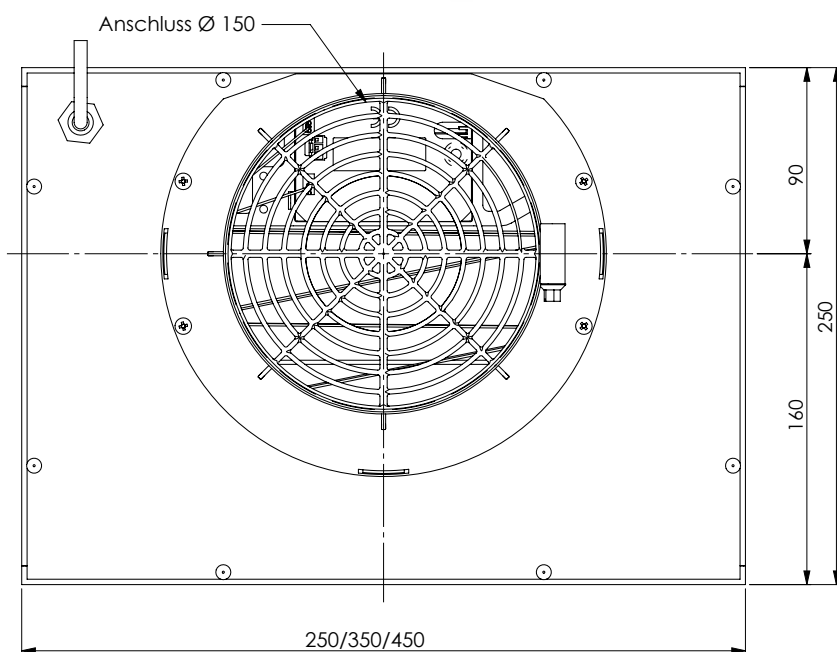


aira[®]
PLANO | Product Info



Stainless steel (standard)
 White powder-coated possible
 Black powder-coated possible



Included in delivery:

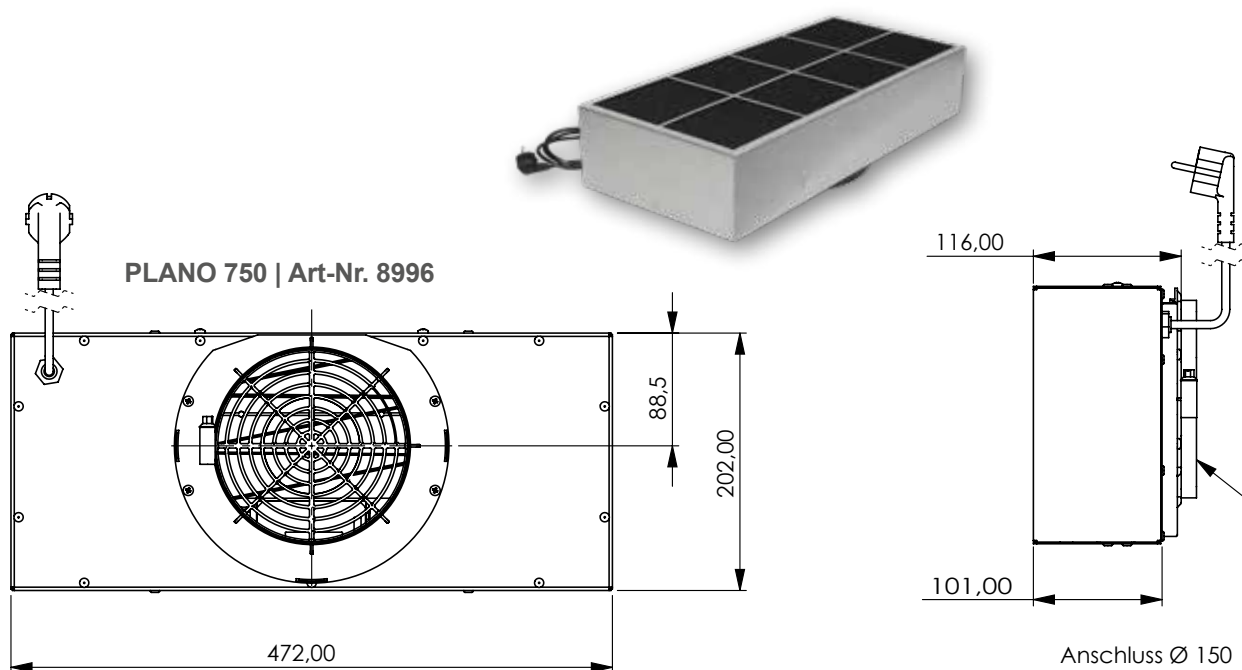
PLANO 8950, 8960, 8980, 8996:

Item no. 7550 (Adapter | Reducer) A150/150, eccentric)

7020_210 (Hose clamp Ø 210)

Contact time / flow velocity: depending on degree of soiling 0.1-1 sec, 2 min / max.
 pressure difference: at 2 m/s flow, 100 Pa
 Electrical operation: primary: 210-250 V, 50Hz | secondary: HV approx. 5 KV, 10 Watt
 Power consumption: max. 10 Watt, max. 3.65 KW p.a. | Standby consumption: max. 0.5 Watt
 Subject to technical changes!




PLANO 500
 MA Ø 150 mm

PLANO 600
 MA Ø 150 mm

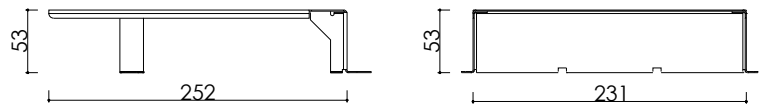
PLANO 750
 MA Ø 150 mm

PLANO 800
 MA Ø 150 mm

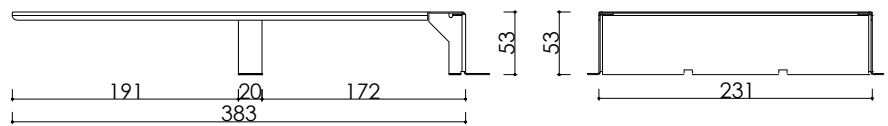
Item no.	8950 8950_white 8950_black	8960 8960_white 8960_black	8996 8996_white 8996_black	8980 8980_white 8980_black
Dimensions	250x250x90 mm	350x250x90 mm	472x202x116 mm	450x250x116 mm
Air flow rate	500 m ³ / h	600 m ³ / h	750 m ³ / h	800 m ³ / h
Connection voltage	210 - 250 Volt	210 - 250 Volt	210 - 250 Volt	210 - 250 Volt
Motor connection	Ø 150 mm	Ø 150 mm	Ø 150 mm	Ø 150 mm
Weight	2.5 kg	3.1 kg	3.7 kg	3.8 kg
packaging dimensions	380x280x210 mm	380x280x210 mm	610x310x140 mm	610x310x140 mm
packaging unit	1 Piece	1 Piece	1 Piece	1 Piece
Plug / cable	Schuko/150 cm	Schuko/150 cm	Schuko/150 cm	Schuko/150 cm

aira[®]
PLANO | Accessories

PLANO cover 500 (air duct)
Item no. 7018



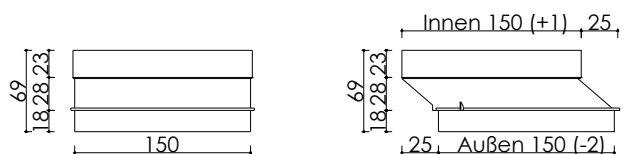
PLANO cover 600 (air duct)
Item no. 7016



PLANO cover 800 (air duct)
Item no. 7015



Adapter (MA150/150. essentric) | included with PLANO models 8940. 8950. 8960. 8980 | Item no. 7550



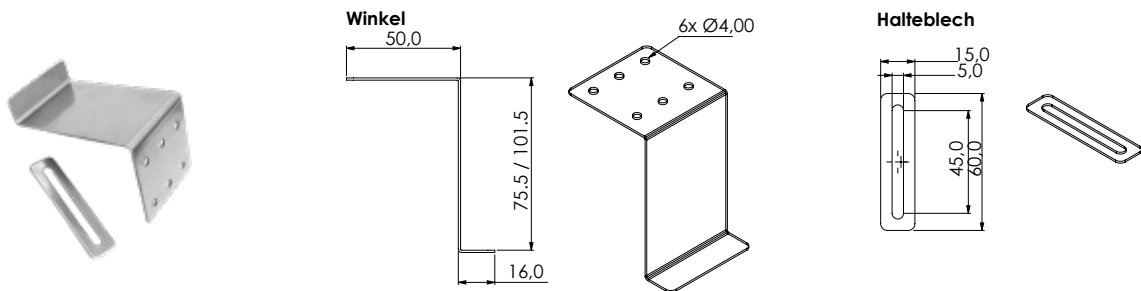


Hose clamp Ø 210 | included with PLANO models | [Item no. 7020_210](#)
[Item no. 7020_210](#)



PLANO 500 + 600 mounting bracket | Set consisting of 2 brackets (length 75.5 mm) and 2 retaining plates) | [Item no. 7082](#)

PLANO 750 + 800 mounting bracket | Set consisting of 2 brackets (length 101.5 mm) and 2 retaining plates | [Item no. 7084](#)



Kitchen planning programs

There are several IT-supported planning programs for the kitchen industry, but only a few achieve very high market penetration. These include the systems from Carat and SHD (KPS.MAX). Avitana's plasma filters are integrated into all three of the aforementioned planning programs and are therefore present on key channels for kitchen planners and studios.

Product integration into kitchen planning programs not only makes consultation more efficient, but also simplifies and accelerates the entire planning process and limits potential sources of error. The sales department also has easier access to the decisionmakers and, conversely, Avitana benefits in terms of product development. The respective product catalogs can be requested from the company or – thanks to digitization – downloaded or subscribed to in the provider cloud.

CARAT KPS.MAX

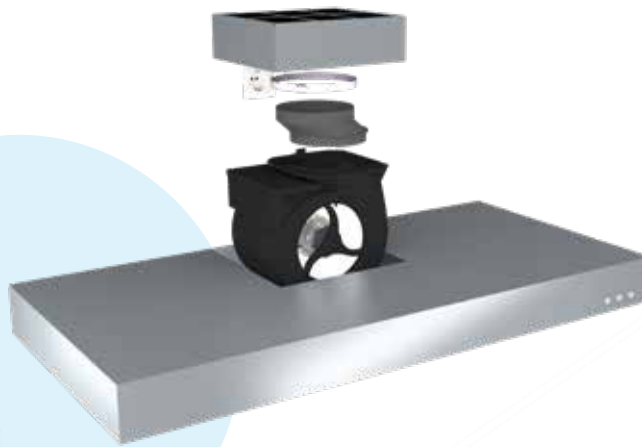
aira[®] PLANO | Assembly instructions

PACKAGE CONTENTS

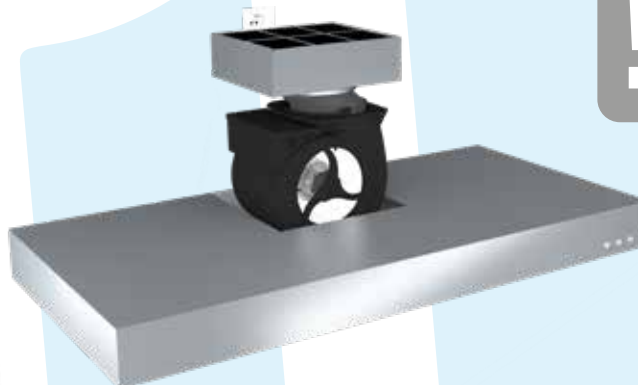
- A | **aira**[®] PLANO filter module C
- B | Eccentric adapter
- C | Hose clamp



1. Place the **aira**[®] PLANO (A) on the adapter (B) or directly on the exhaust air connection and tighten the hose clamp (C).



2. Connect the hood and filter plugs to the socket.



! Set the adapter (C) if the motor exhaust air connection is too close to the wall.

Notes on Operation

For optimum room air purification, it is essential that your extractor hood is sufficiently ventilated and adapted to the respective steam development:

- Start your extractor hood at level 1 or 2 10 minutes before you start cooking.
- After the cooking process has finished, the extractor hood must run on level 1 or 2 for at least 15 minutes.
- If the room volume exceeds 50 m³ (width x length x height = room volume), the run-on time should be at least 15 minutes.
- The distance between the filter and furnishings should be at least **10 mm**.
- When using grills or deep fryers, please double the runtime of the after-ventilation.
- **The grease filter of the extractor hood should have at least 8 layers.**

The *aira*[®] module functions as an air purifier even at low speed, cleaning the air not only of kitchen fumes and odors, but also of all types of allergens, bacteria, pollen, and viruses, thus ensuring healthy indoor air.

Care and maintenance

If the *aira*[®] filter module is installed in accordance with the installation instructions, it does not require any maintenance. The *aira* filter module starts the automated cleaning process as soon as it is in operation.

The *aira*[®] filter module is maintenance-free. However, make sure that the grease filter of your extractor hood is cleaned regularly and is free of grease.

Warranty services and conditions

We at AVITANA[®] are delighted that you have purchased one of our high-tech modules and are convinced that your living comfort will be enhanced by the fresh and purified air.

We grant a **60-month guarantee** on our products provided that they are installed correctly and professionally. **It is essential that the pre- and post-installation times of the extractor hood are observed.**

If you still have reasons for complaint, please contact your dealer, who will then contact us. Together we will find a good solution.

NOTE: If the *aira*[®] filter is not installed in accordance with these instructions, the warranty claim for the *aira*[®] filter will be void with immediate effect! All *aira*[®] filter modules listed in these instructions are plug-in products.

Please follow the installation instructions.